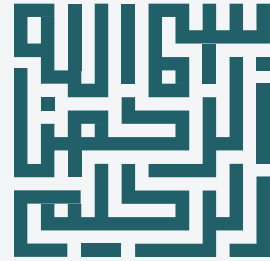




Volleyball Technical Regulations for Private Academies





A	Technical Requirement
1	Coaches
2	Facilities (indoor volleyball)
3	Safety
4	Competitions

B	Administrative Requirement
5	Membership
6	Violations & Penalties

A/ Technical Requirements





1. Coaches

1.1 The Coaches are selected based on one of the following criteria:

1) Have Bachelor's degree in Physical Education or equivalent must provided had a certificate of course. (Certification can be obtained from the Leaders' Preparation Institute)

2) Having at least 5 years' experience of training a volleyball or being a former player. (must be proved)

3) To have a specialized certificate according to the Saudi Volleyball Federation classification: -

- **Introductory course certificate.**
- **Intermediate course certificate** (passing the introductory certificate is required).
- **The first international certificate** (it is necessary to pass the preliminary certificate and the intermediate certificate and be certified by the International Volleyball Federation)
- **The second international certificate** (It is necessary to pass the first international certificate and be certified by the International Volleyball Federation)
- **The third international certificate** (It is necessary to pass the first international certificate and be certified by the International Volleyball Federation)

1.2 To be of good conduct.

1.3 Must be 21+.

1.4 To have a first aid certificate or license.

1.5 To be mentally, physically and healthy fit.



2. Facilities (Volleyball Court, Indoor (Own - Rent))

2.1 Playground - Appendix A

- The playing field measures 18 meters by 9 meters and is surrounded by a free zone, the width of which is not less than 3 meters on all sides.
- The service area is 9 meters wide behind the finish line.
- The surface must be level, horizontal and uniform, and must not pose any risk of injury to players.

2.2 Stadium Planning - Appendix B

All lines are 5 cm wide and should be in a light color that differs from the color of the ground and any other lines.

- Boundary lines: The stadium is defined by two side lines and two end lines, and both the side and end lines are drawn within the borders of the stadium.
- The middle line: The center line axis divides the playing field into two equal fields measuring 9 x 9 meters each. This line extends below the net from the right side line to the left side line.
- Attack line: The front area in each court is defined by the offensive line, which ends three meters behind the axis of the midfield.

2.3 Net Height - Appendix C

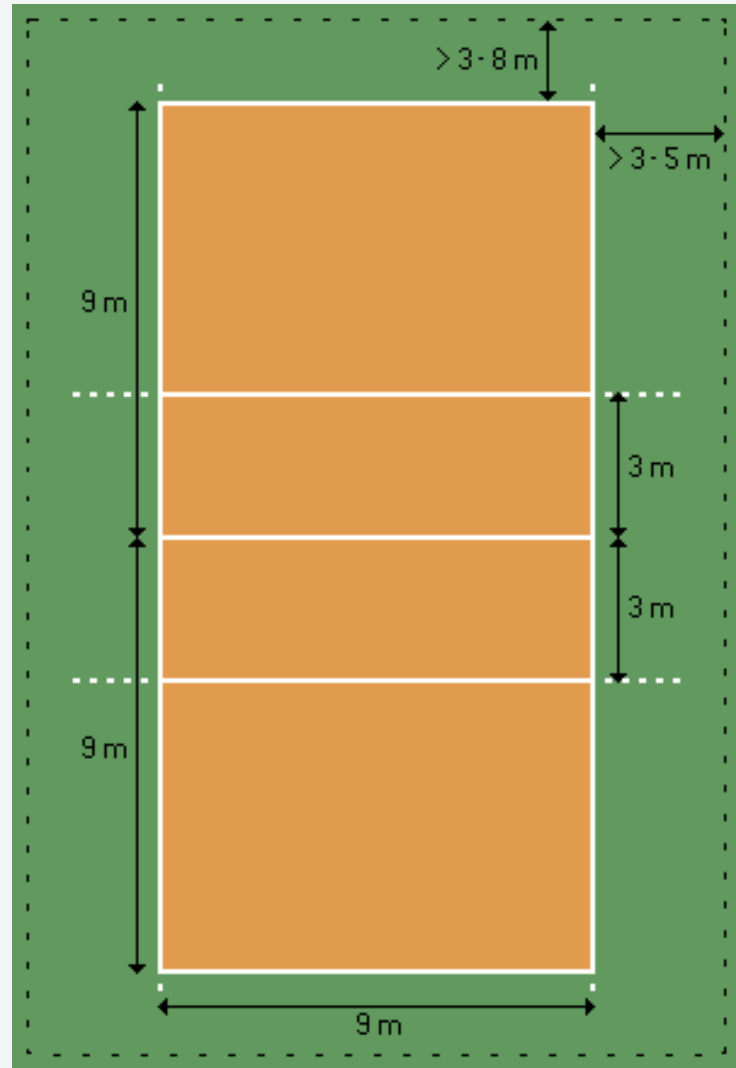
The net is placed vertically above the center line, and its upper edge is 2.43 meters high for men and 2.24 meters high for women.

2.4 The Net - Appendix D

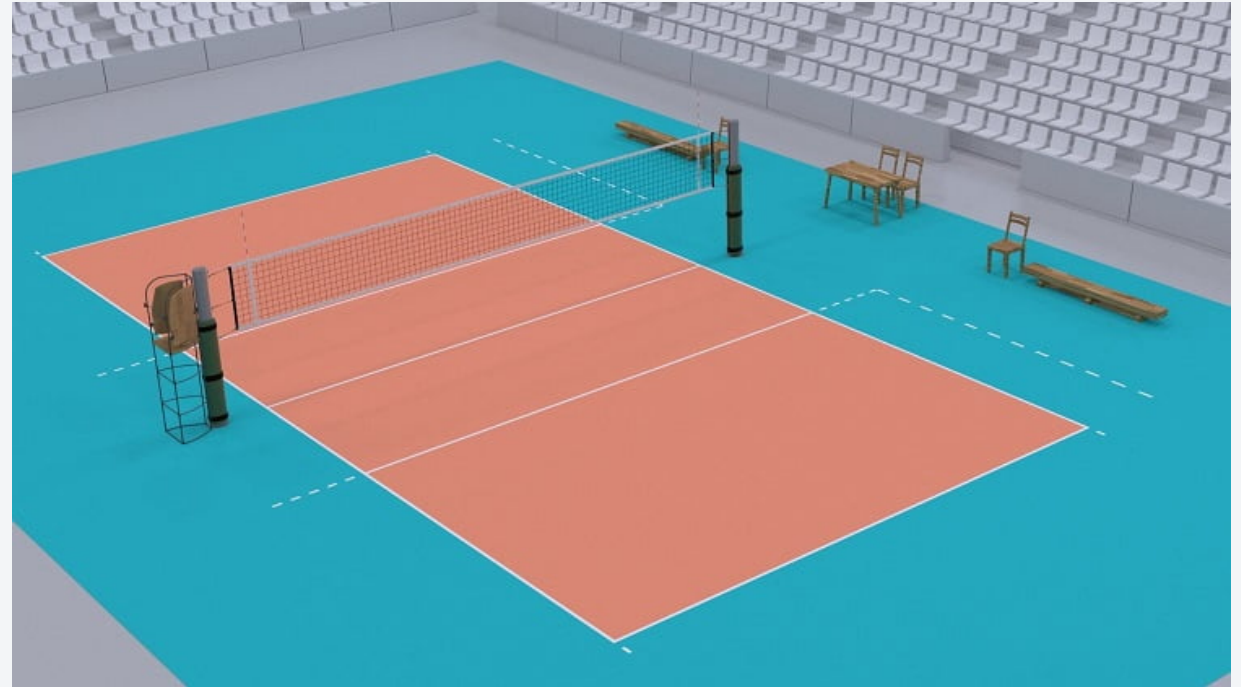
- The grid shall be 1 meter wide and 10 meters long.
- The two posts that fix the net are placed at a distance of 1-5.0 meters outside the two side lines, and they are 2.55 meters high, and it is preferable that they be adjustable.

2.4 Volleyball - Appendix E

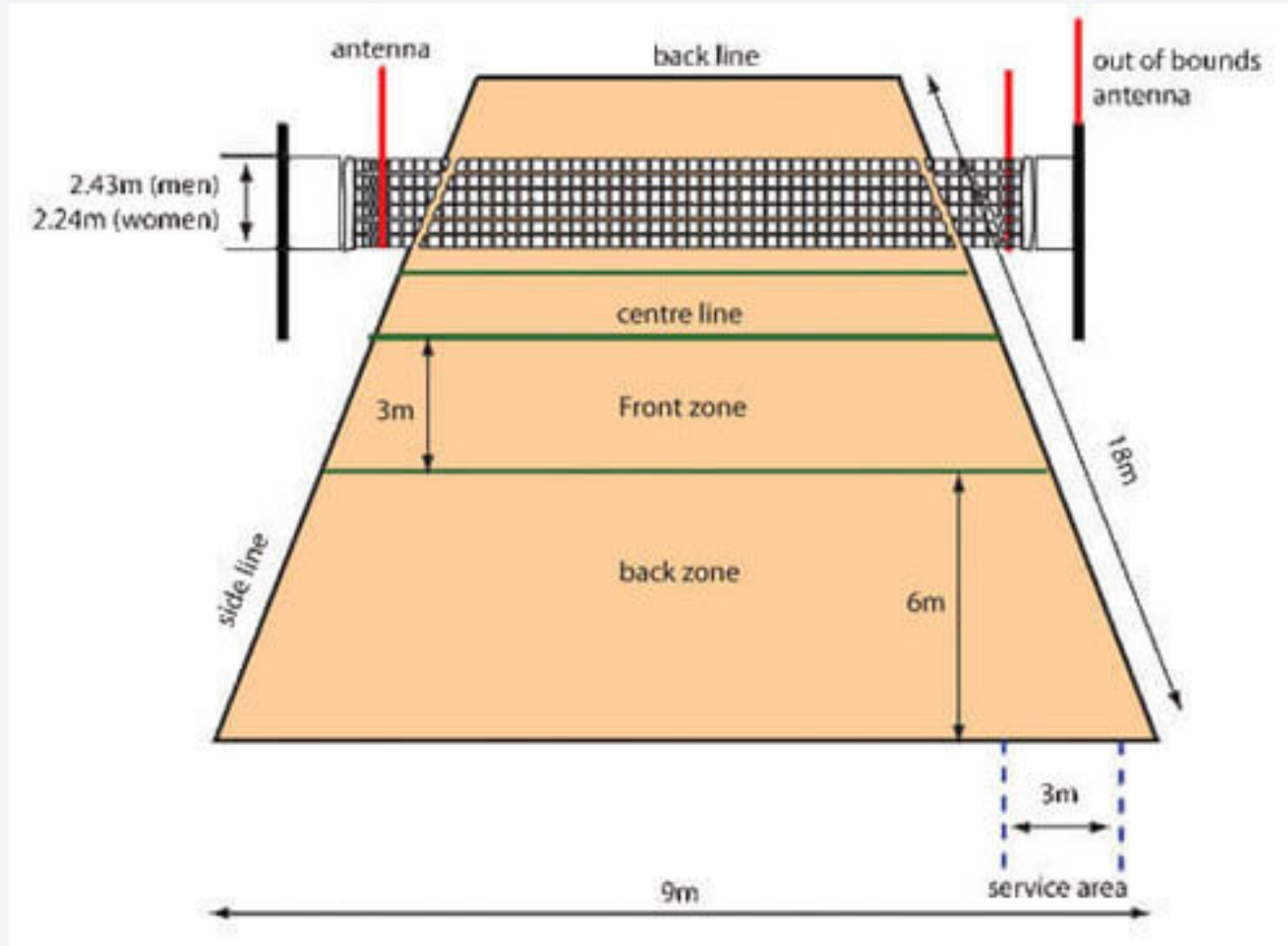
The circumference of the ball is 65-67 cm, its weight is 260-280 grams, and the internal air pressure is 30.0-325.0 kg/cm².



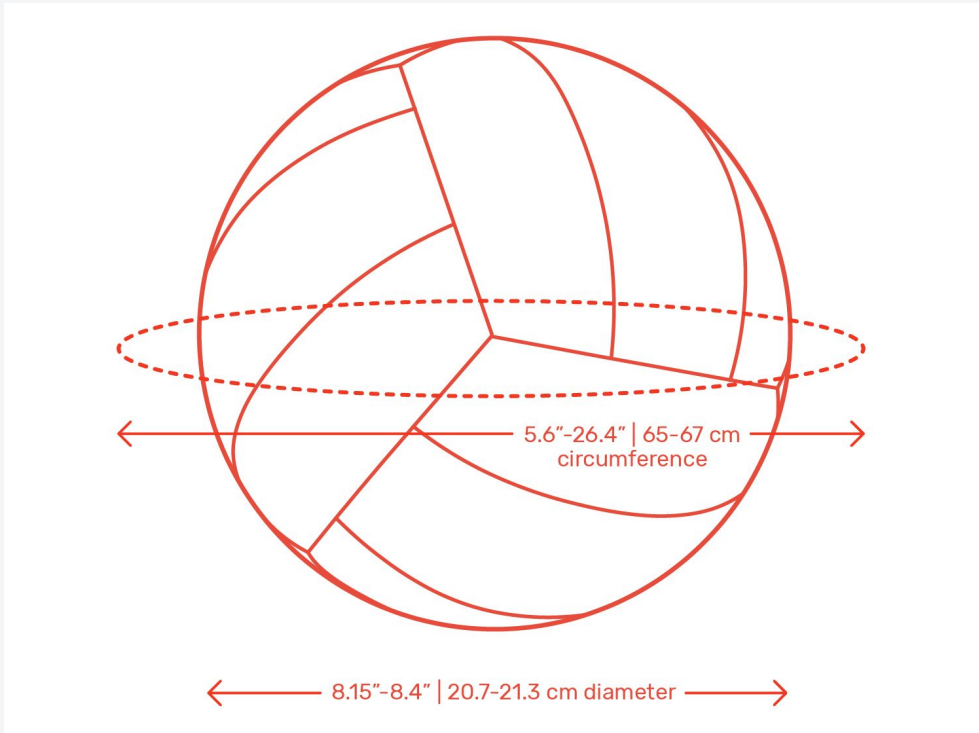
Appendix B



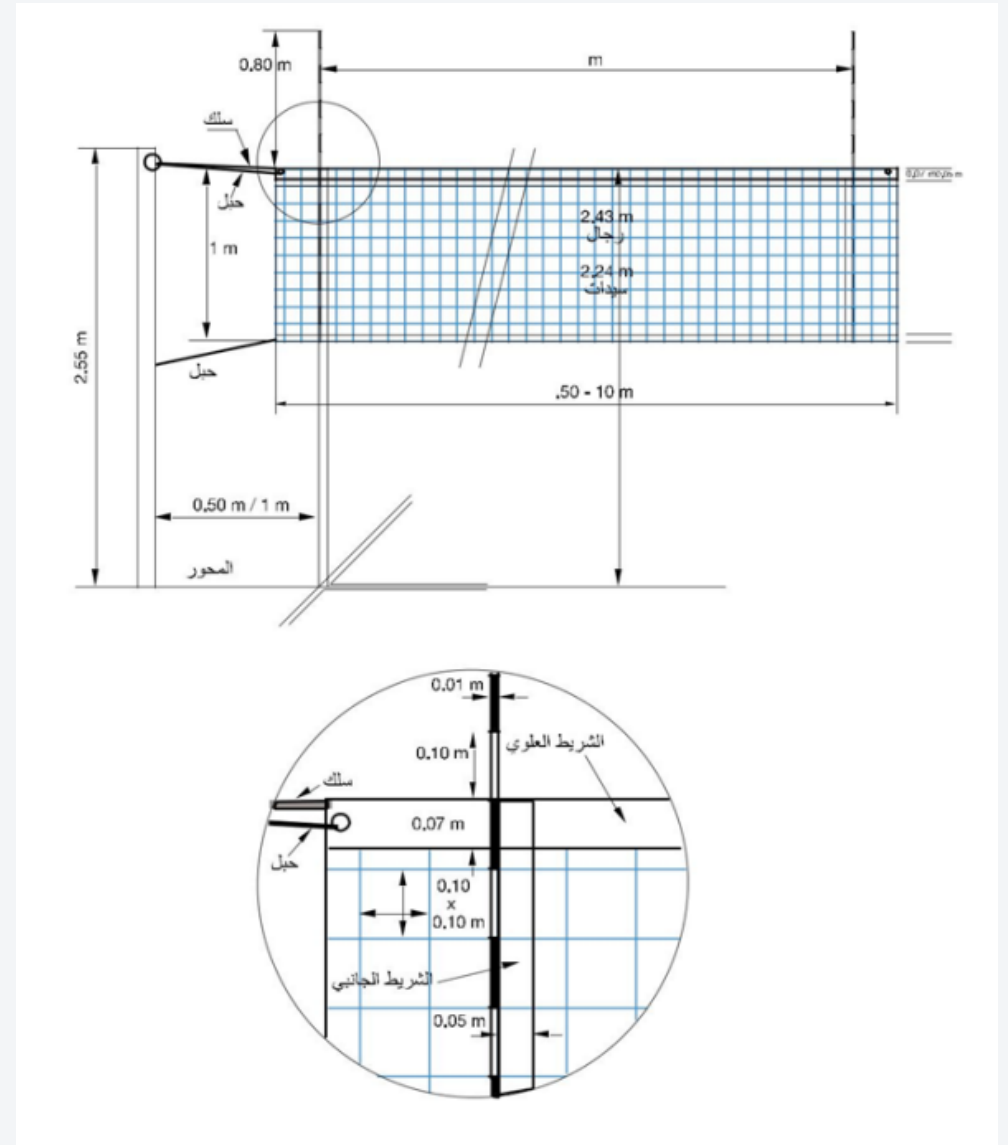
Appendix A



Appendix C



Appendix E



Appendix D



3. Safety

- 3.1** Upon acceptance of the player, the player is required to submit a medical examination stating that the participant is medically fit and the academy is held the full responsibility for that.
- To obtain it, please fill out the following form (player form): <http://sfsm.org.sa/mos20>
 - Then fill in the following form (hospital / clinic form): <http://sfsm.org.sa/mos10>
- 3.2** Having a certified physiotherapist for the team or a valid contract with a clinic from the Saudi Federation for Health Specialties. In the event that a specialist is available but not accredited, one can apply for accreditation by filling out the following form by the Saudi Federation for Sports Medicine (SFSM) <http://sfsm.org.sa/mos30>
- **** If needed, SFSM provides a list of physiotherapists. To request, please click on: <http://sfsm.org.sa/mos40>
- 3.3 First Aid** - Provide first aid kit with adequate equipment as it's stipulated here <http://sfsm.org.sa/mos70> as per SFSM's minimum standards, and to have an ambulance car during games & tournaments (if available).
- **** For your convenience, we have prepared a ready-made first aid kit, to obtain it please click on the below:
- <http://sfsm.org.sa/nafes/>
- ✓ **Small Bag:** SAR 12,650 (up to 50 persons)
 - ✓ **Large bag:** SAR 14,375 (up to 100 persons)
- 3.4 Fire alarm system according to the requirements of the Civil Defense**



4. Competition

4.1 The Saudi Volleyball Federation where its affiliated to Saudi Olympic and Paralympic Committee issues the conditions and instructions regulating internal and external participation, whether in camps, tournaments or competitions, to work according to them the academies.

4.2 Age groups males and females:

- Buds under (15) years.
- Juniors (16-18) years.
- Youth (19-21) years.
- First team (21) years and over.

4.3 The federation has the right to supervise the activities of the academies, such as competitions, tournaments, or any other activity.

B/ Administrative Requirements





5. Affiliation

- 5.1** The facility submits a membership application through the official website of the Federation <http://saudivb.org/> after obtaining the license of the Ministry of Sports (the platform of Nafes Ministry of Sports)
- 5.2** The response shall take place within a maximum period of 15 days, in order to specify a field visit by the Federation's technical team to the facility to verify compliance with all conditions.
- 5.3** The federation, after verifying all the requirements and filling out the inspection forms, will notify the establishment to pay the membership fees of 1000 Saudi riyals, renewable annually.
- 5.4** The facility shall send the fee payment receipt to the federation's official email info@saudivb.org.
- 5.5** The federation issues or renews the membership of the facility and completes all administrative requirements, along with the technical report and evaluation summary.



6. Violations & Penalties

	Lorem Ipsum	Lorem Ipsum	Lorem Ipsum	
			2000 SR	8000 SR
1	Volleyball net defect	Oral warning	2000 SR	8000 SR
2	The facility is not ready for toilets, refrigerators and safety tools	Oral warning	1000 SR	5000 SR
3	The dressing room is not ready or unusable	Oral warning	2000 SR	6000 SR
4	Floor defects or defects	Oral warning	5000 SR	10000 SR
5	Hiring coaches or referees who are not licensed by the federation	6000 SR	10000 SR	14000 SR and suspension of membership

The Saudi Volleyball Federation's Disciplinary and Appeal Regulations apply with regard to violations and penalties. The Federation has the right to approve penalties as it deems appropriate for any violation, whether or not it is included in the above table. The Federation estimates the type of violation in proportion to the size of the violation.

THANK YOU